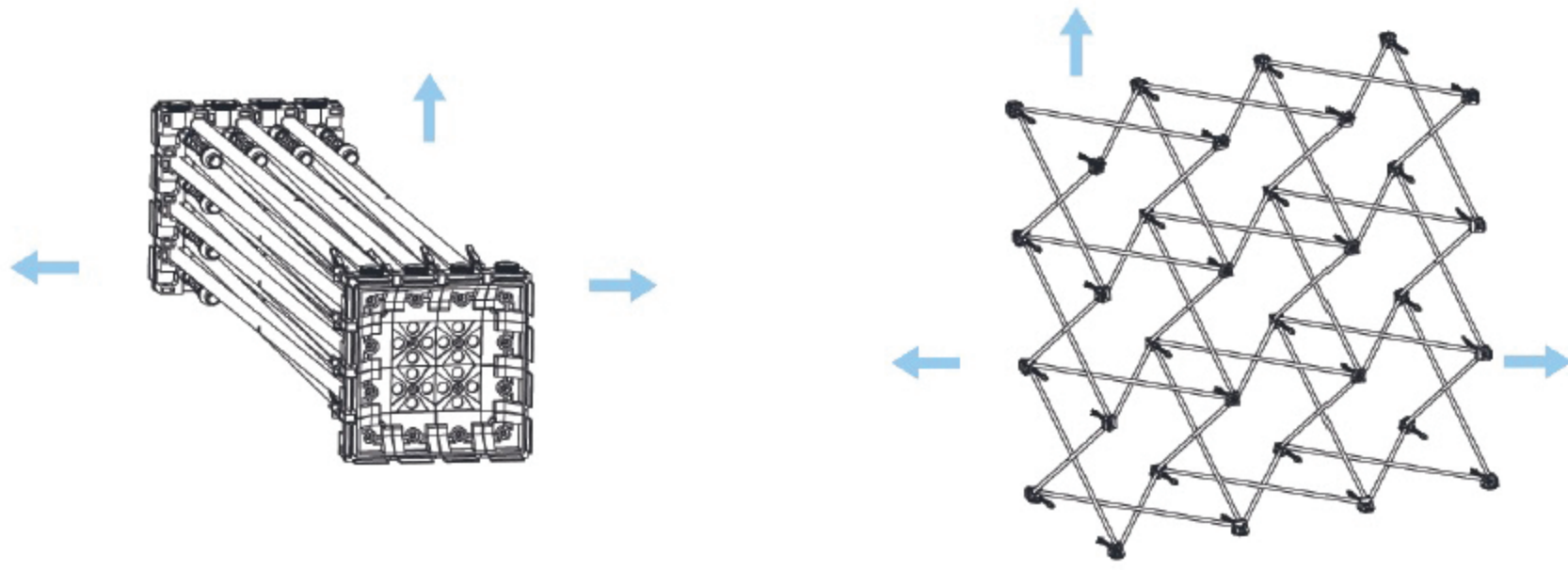
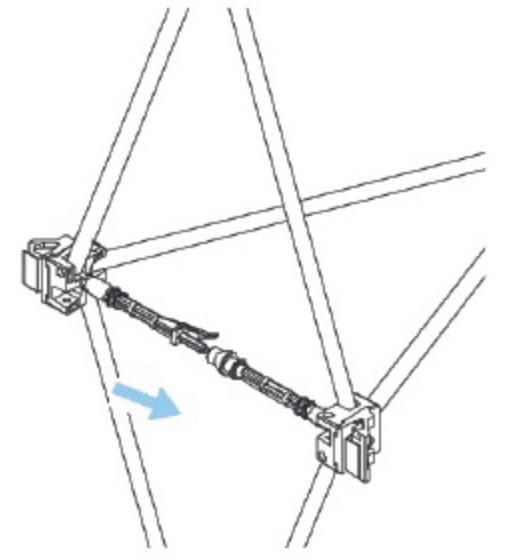


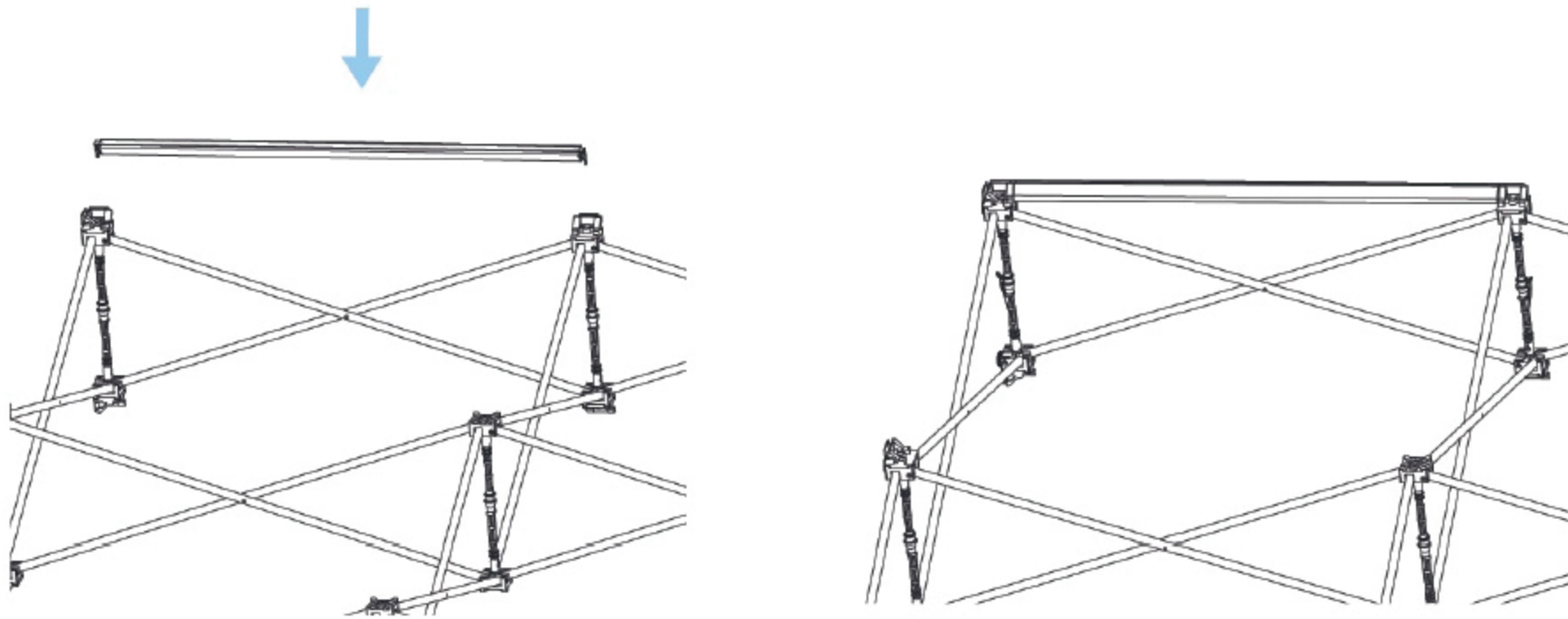
# Assemble Instruction (CPD-SEG series)



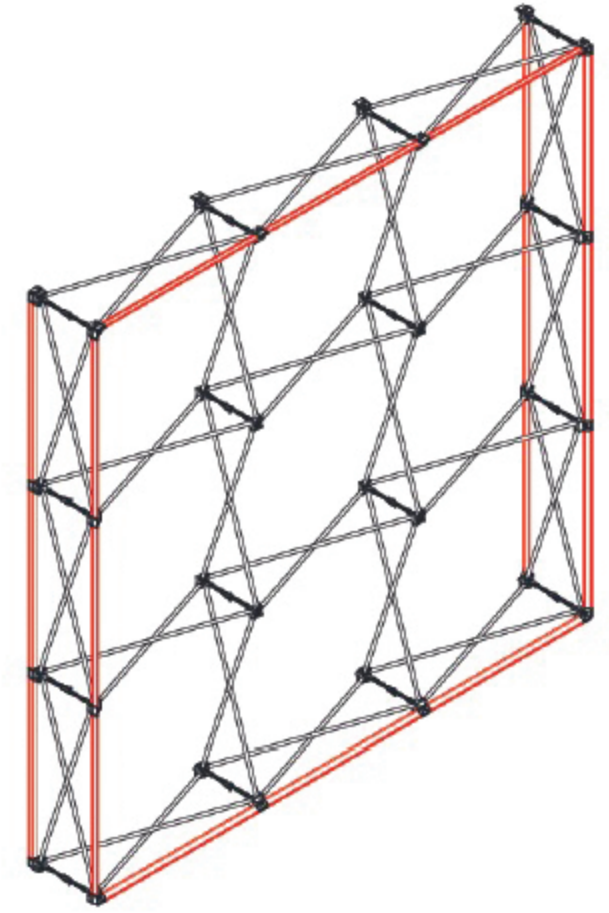
1. Pull out to stretch the frame.



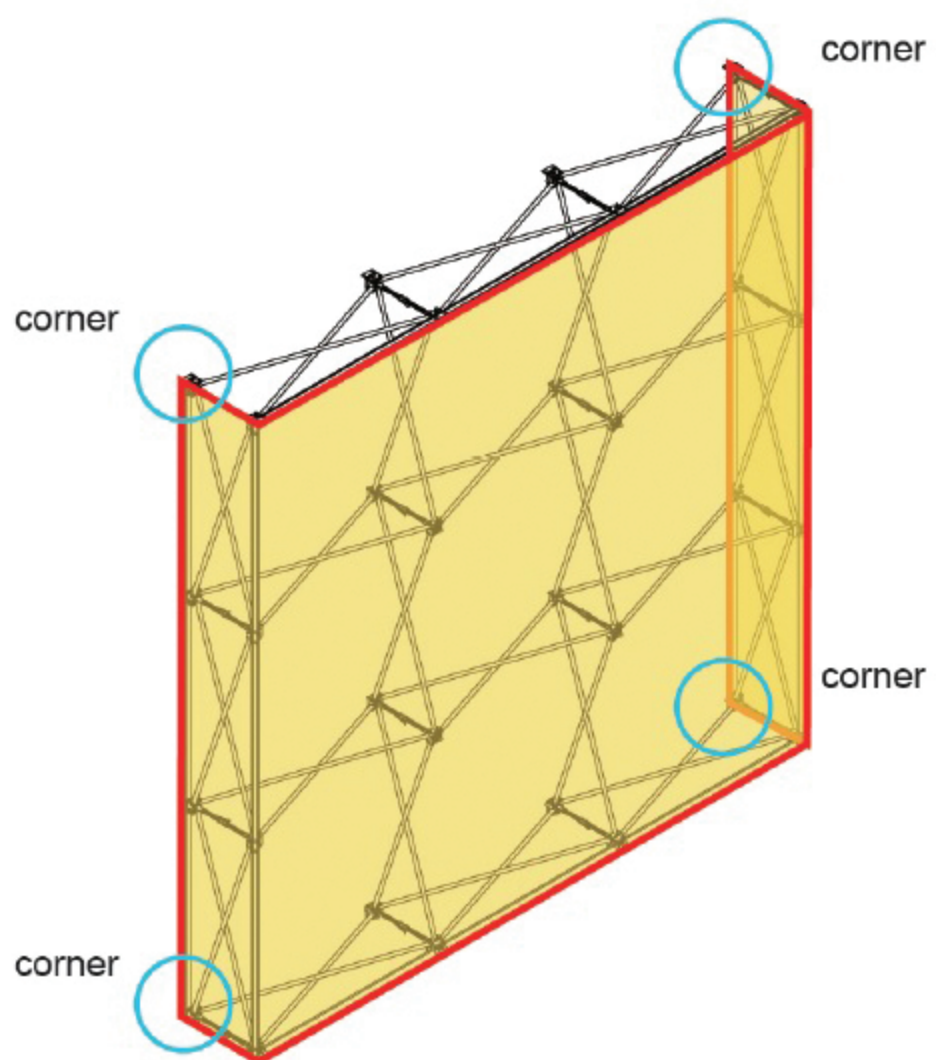
2. Snap the locking arm.



3. Slide the channel bar into the slot of frame .



4. Repeat step 3 until you install all the channel bars .



4. Slide the graphic into channel bar. (The corner first, then the middle of graphic)